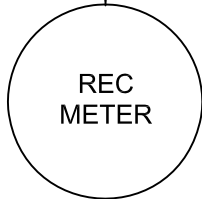
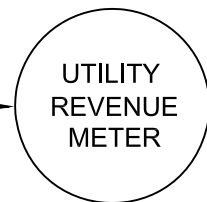
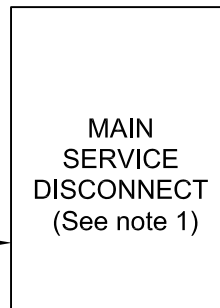
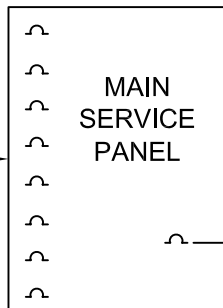


# ONE - LINE DIAGRAM

CUSTOMER'S RENEWABLE  
ENERGY SOURCE  
(Show all equipment information)



QF VISIBLE AC  
ENERGY SOURCE  
DISCONNECT



OVERHEAD  
OR  
UNDERGROUND  
EPE SERVICE

TYPE: \_\_\_\_\_

WATTS: \_\_\_\_\_

INVERTER: \_\_\_\_\_

WATTS: \_\_\_\_\_

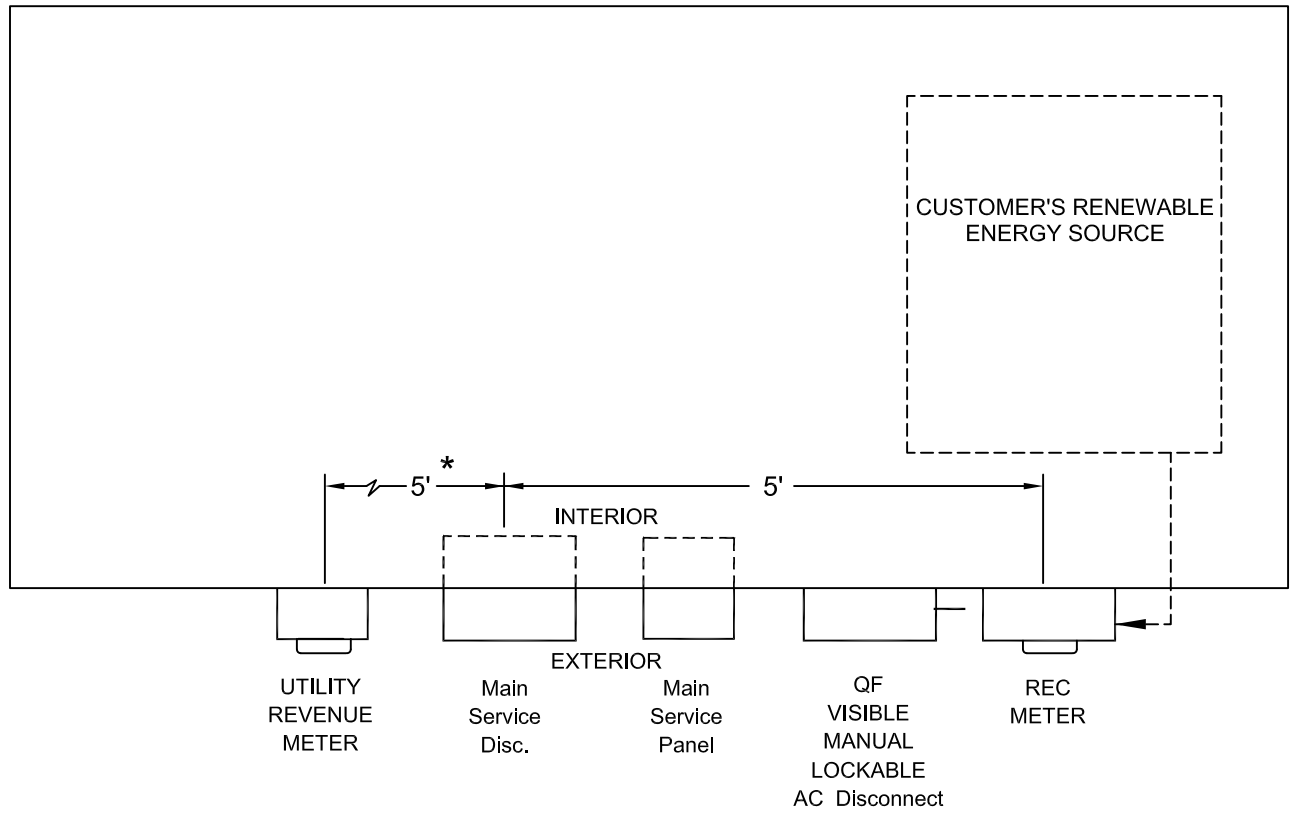
**NOTES:**

1. MAIN SERVICE PANEL AND MAIN SERVICE DISCONNECT CAN BE COMBINED, EITHER INTERIOR OR EXTERIOR.
2. QUALIFYING FACILITY (QF) MUST HAVE A VISIBLE, LOCKABLE DISCONNECT WITHIN 5' OF MAIN SERVICE DISCONNECT.
3. IF EXISTING SERVICE IS UPGRADED, CHANGED OR MODIFIED IT MUST BE BROUGHT UP TO CURRENT EPE STANDARDS AND CURRENT LOCAL AND STATE CODES.
4. PERMANENTLY POST ONE-LINE DIAGRAM.
  - A. PLACARDS MUST BE PERMANENTLY PLACED ON SERVICE INDICATING THIS AN "INTERCONNECTION SITE" , REC METER, A/C DISCONNECT.

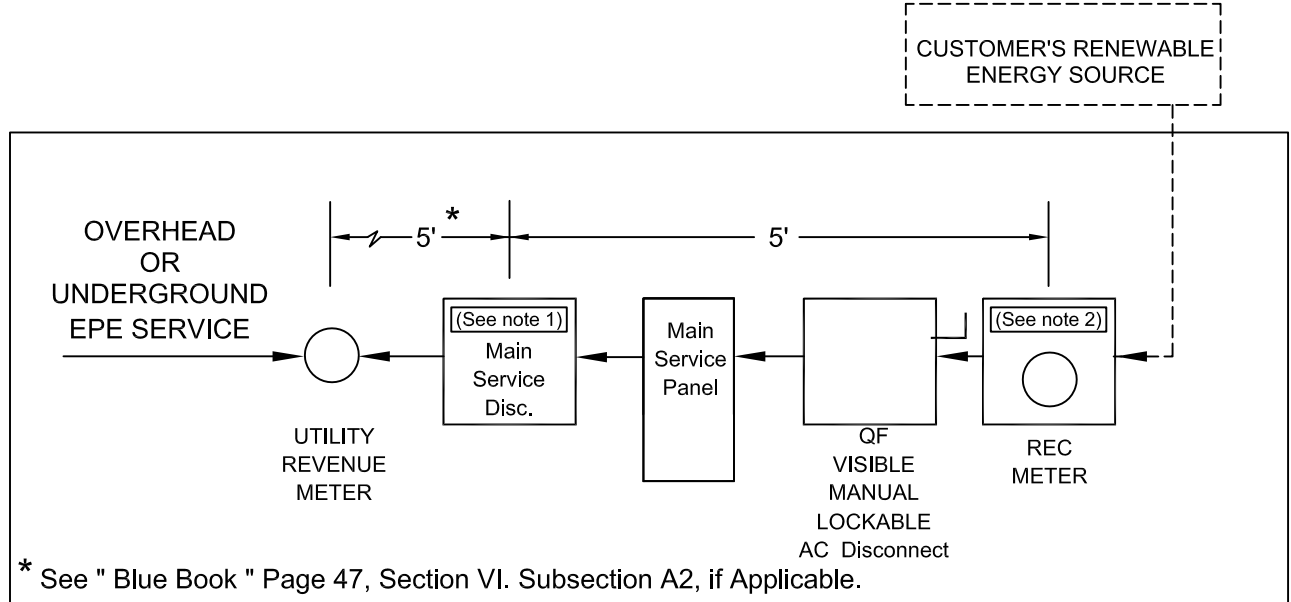
DRAWING NOT TO SCALE

**FOR QUALIFYING FACILITIES  
10KW OR LESS**

## TOP VIEW OF BUILDING



## SIDE VIEW OF BUILDING



\* See " Blue Book " Page 47, Section VI. Subsection A2, if Applicable.

**NOTES:**

1. ADD PLACARD, " RENEWABLE SITE ", AND
2. PLACARD, REC METER, A/C DISCONNECT.
3. ONE-LINE DIAGRAM PERMANENTLY IN PLACE BY REC METER.

DRAWING NOT TO SCALE

**FOR QUALIFYING FACILITIES  
10KW OR LESS**